

GENERAL: CONCORD Sentry rope-type concealed halyard flagpoles are made from all new seamless 6063-T6 aluminum tubing, having a uniform conical taper of approximately 1" in every 5'6". Overall lengths to 38'6" can be fabricated in one piece. Overall assembled lengths of 28'0" to 38'6" can be fabricated in two sections for easier shipping. Assembled lengths of 44' are produced in 2 sections.

Sectional shafts are factory fitted with a self-aligning internal sleeve which will facilitate field assembly without welding.

DEEP LUSTER FINISH: All Concord Flagpoles shall be highly polished with fine grain aluminum oxide cloths resulting in a high quality deep luster finish. The elegant soft sheen finish remains maintenance free. Each shaft section shall be wrapped in protective paper and shipped in a hard fiber tube to protect the finish. The embedded portion of the shaft shall be given a heavy coat of asphaltum paint.

STANDARD FITTINGS: The fittings listed are standard for all Concord Sentry ground mounted flagpoles:

Finial Ball: Constructed of #14 ga. aluminum with a flush seam, threaded mounting stem and gold anodized finish. Ball is sized to match shaft diameter.

Truck: 5" shafts - Cast aluminum, cap-style, stationary truck with cast nylon sheave. 6-7" shafts - Cast aluminum revolving, concealed halyard truck complete with 26 stainless steel ball bearings and a stainless steel sheave.*

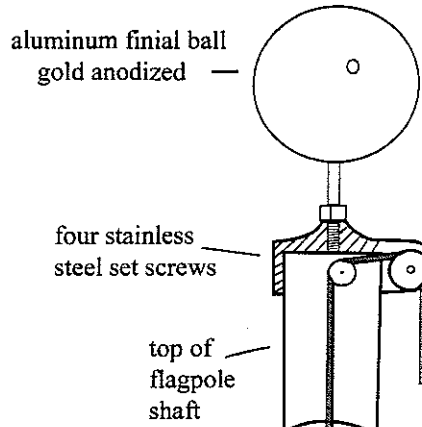
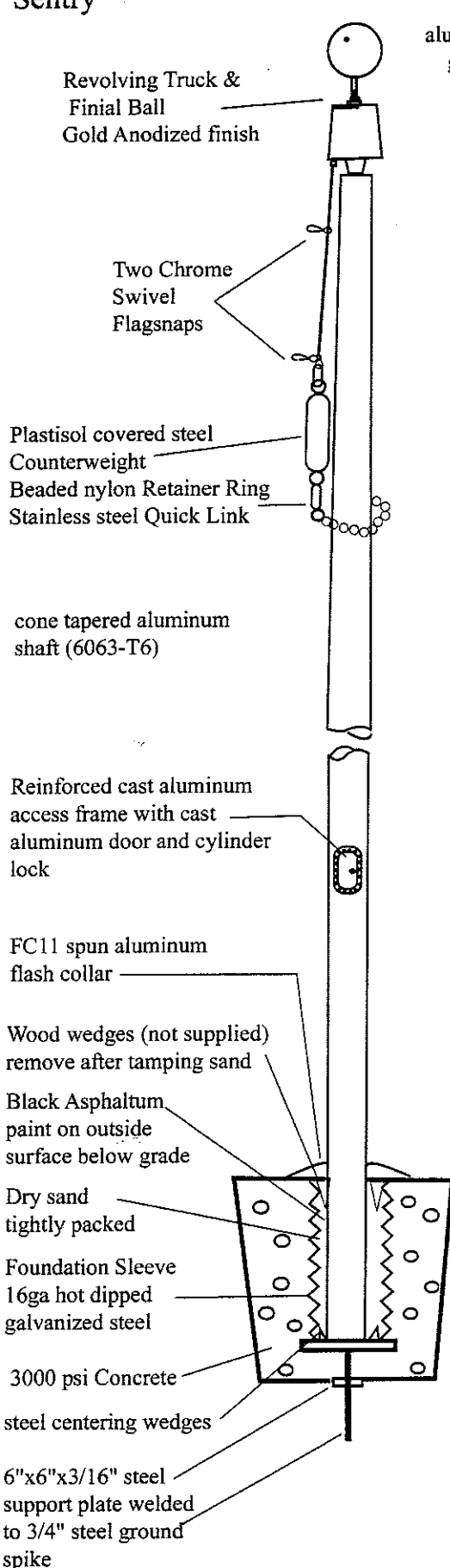
Halyard: One #10 limited stretch braided white polypropylene halyard fitted with two chrome swivel snaps. Also fitted with 3.5# coated counterweight, beaded nylon ball over steel cable retainer ring and stainless steel link.

Cleat: One internally mounted spring action Cam Cleat. Accessed behind a locking door fitted to a peripherally reinforced cast aluminum frame. The frame is secured to the shaft opening with 18 stainless steel socket head screws.

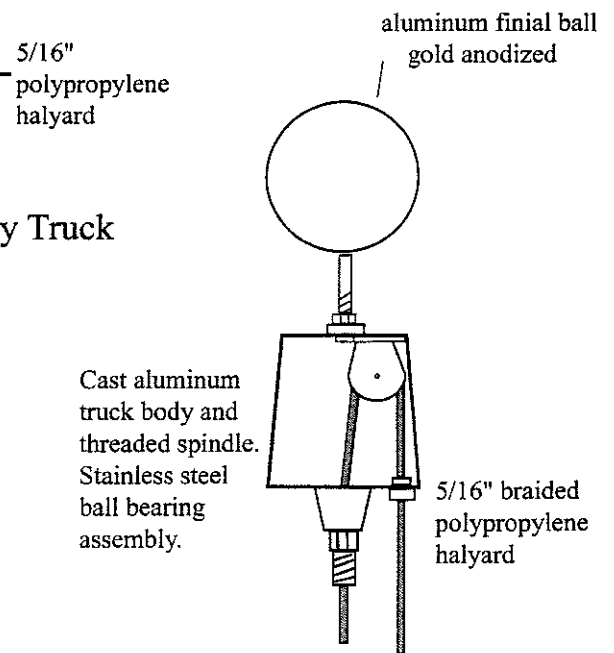
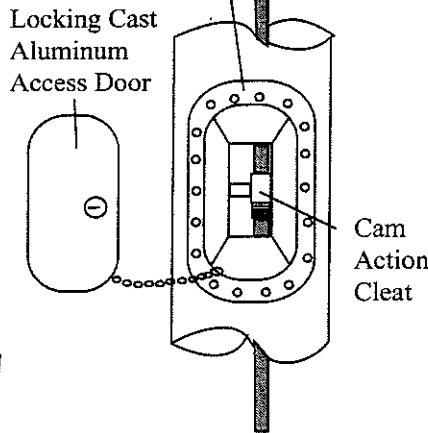
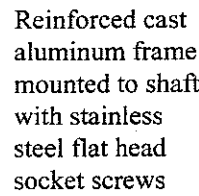
Collar: Spun aluminum type FC11 ornamental flash collar finished to match the shaft. The diameter of the collar to be at least 1" greater than the foundation sleeve.

Foundation Sleeve: Fabricated from #16 ga. galvanized steel, with a base plate whose square dimension is at least the i.d. of the sleeve plus 3". A 6" square set plate is attached to the 3/4" steel ground spike at least 6" below the base plate. The ground spike is not less than 18" long.

* upgrade option on 5" shafts

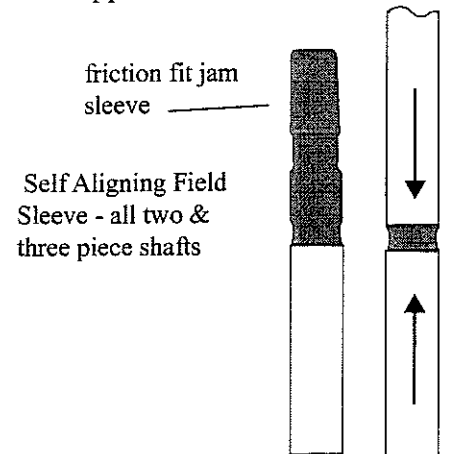


Cast Aluminum Stationary Truck with Nylon Sheave (standard on 5" shafts)



Revolving Truck with stainless steel sheave (standard on 6 & 7" shafts optional on 5" shafts)

Shafts with an overall length of 44' are shipped in 2 sections.



Warning: Extreme caution should be exercised when installing flagpoles near overhead powerlines, or in the vicinity of buried cables.